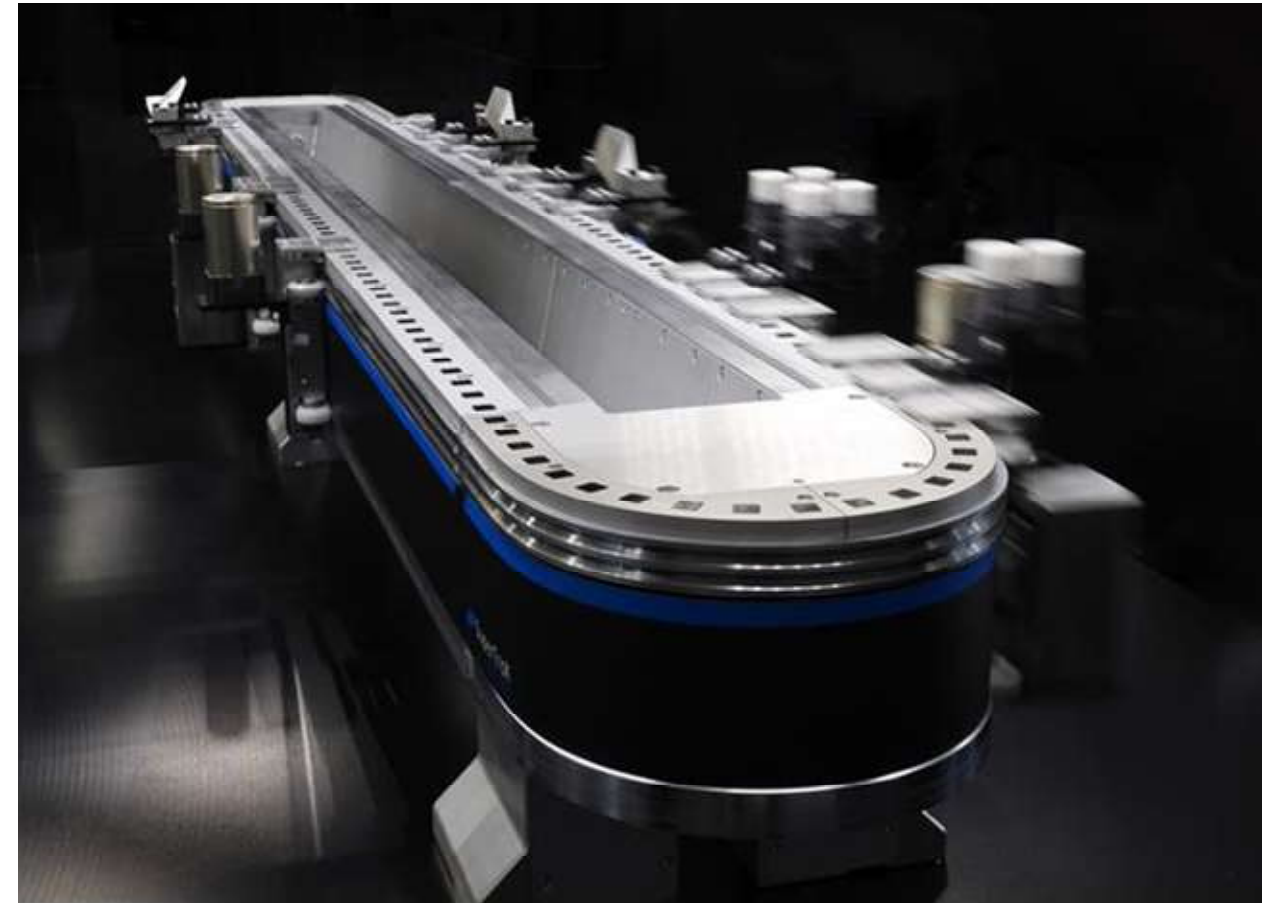


# SuperTrak HORIZON3™ Conveyance Platform Design Considerations

This document provides design considerations when incorporating the SuperTrak CONVEYANCE™ platform into a machine or system. It covers important general information for new users. This document is designed to be a quick reference. More details can be found in the Operations and Maintenance Manual (OMM) and in the Design Package.

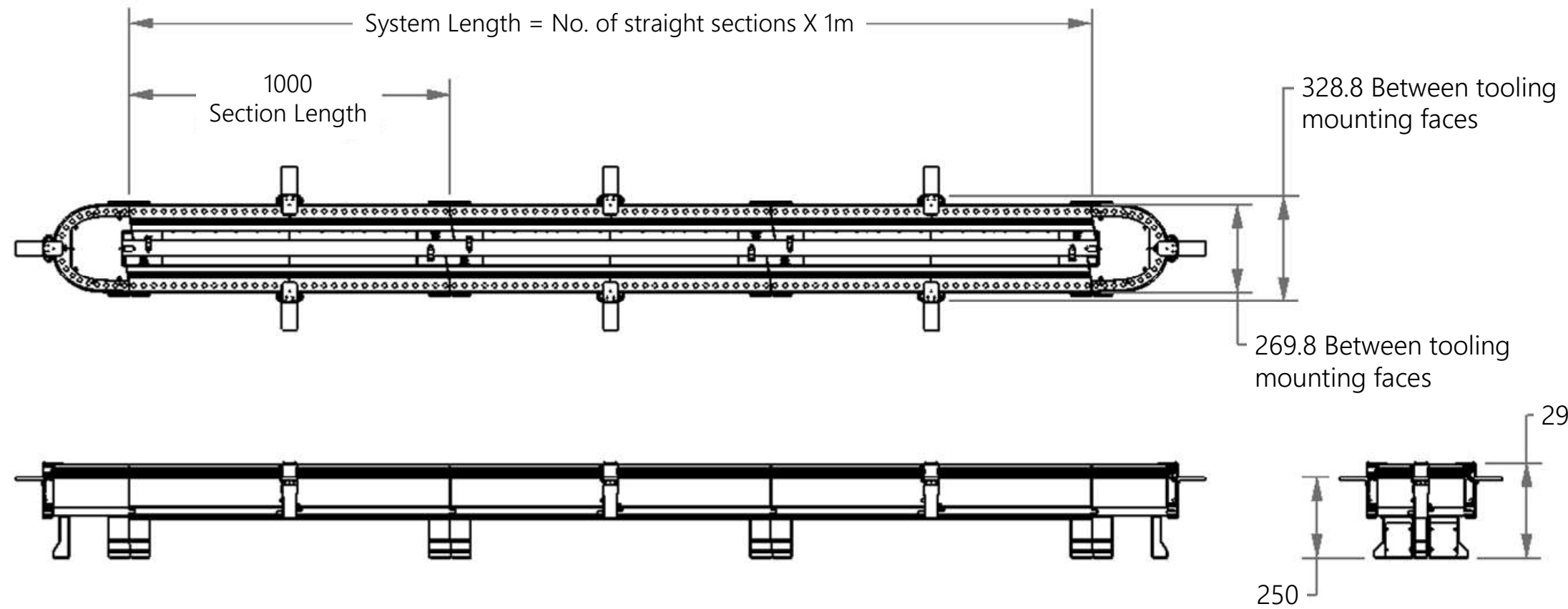
## Contents:

1. System
2. Shuttle
3. Straight Section
4. 180° Section
5. Power Supply
6. Power and Performance

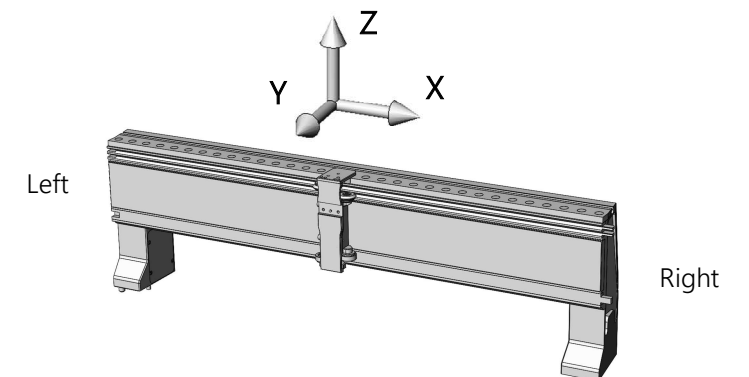


For further information, please contact us at: [SuperTrak\\_support@supertrakconveyance.com](mailto:SuperTrak_support@supertrakconveyance.com)

# 1. System

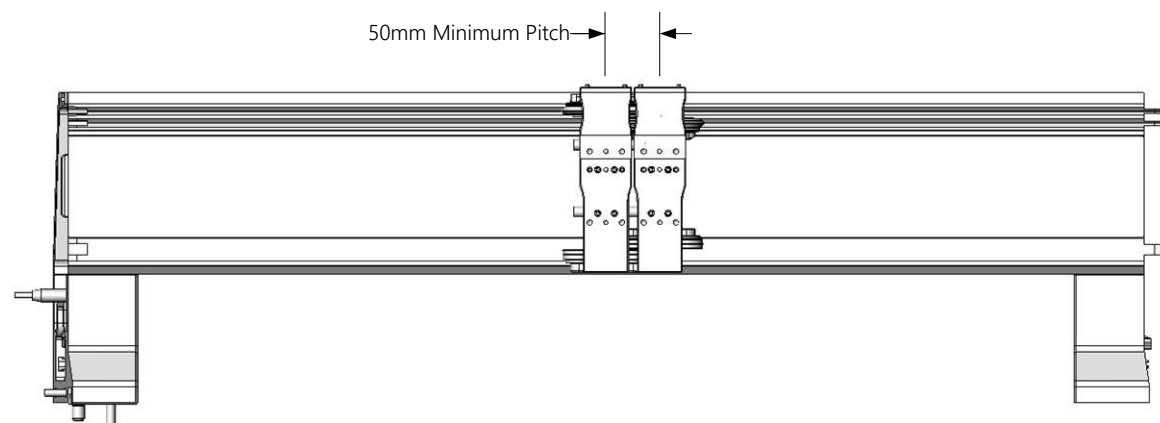
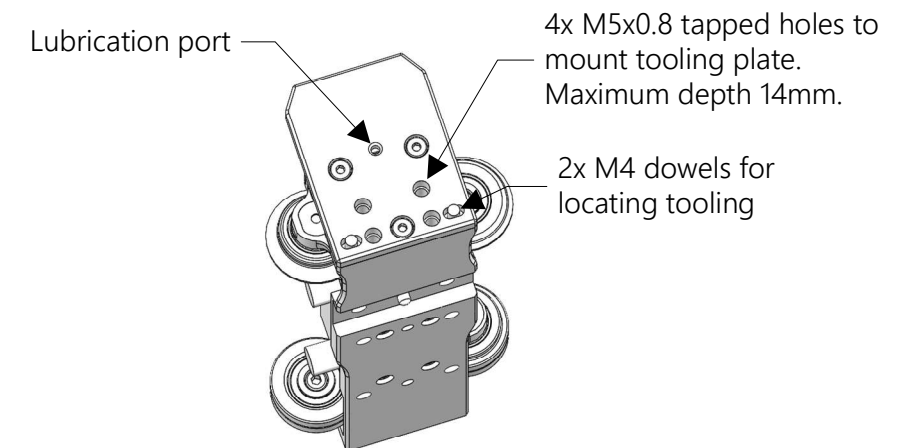
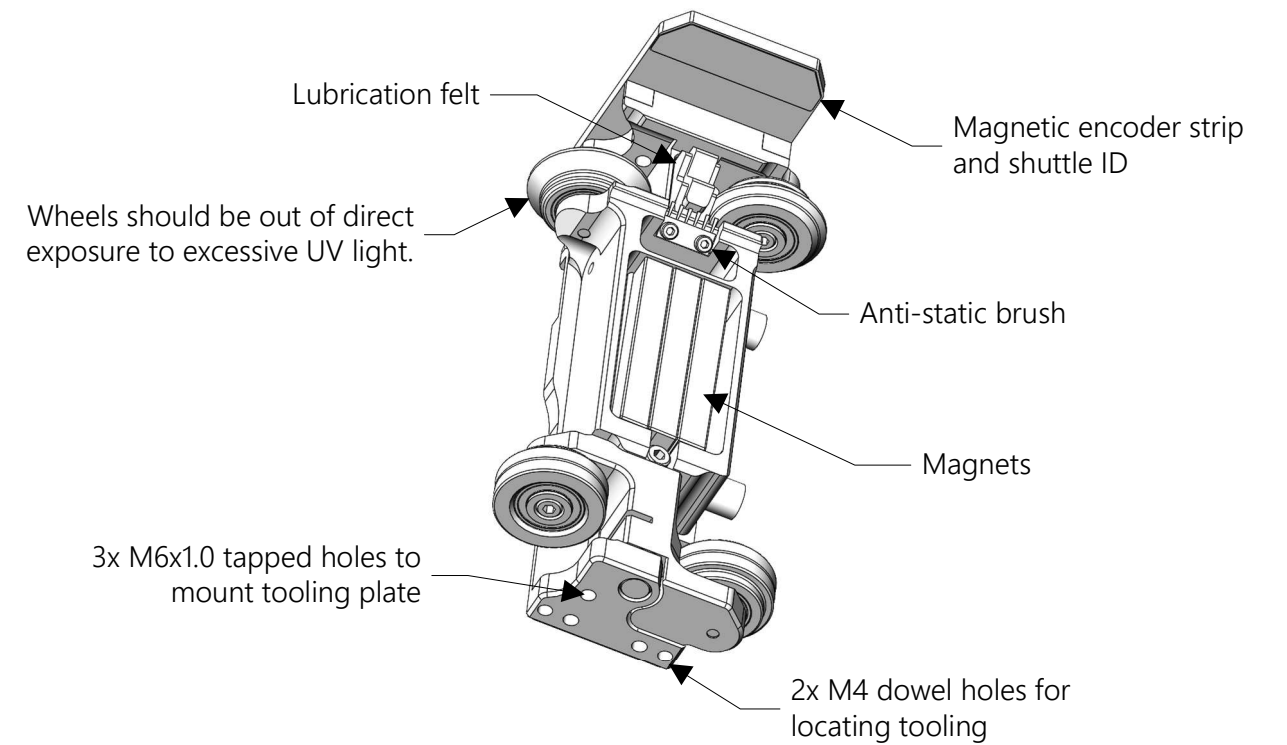
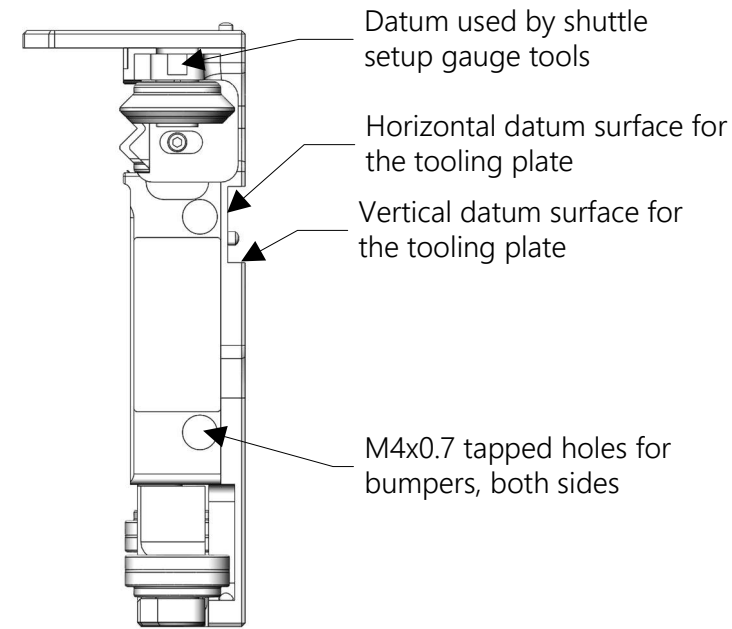
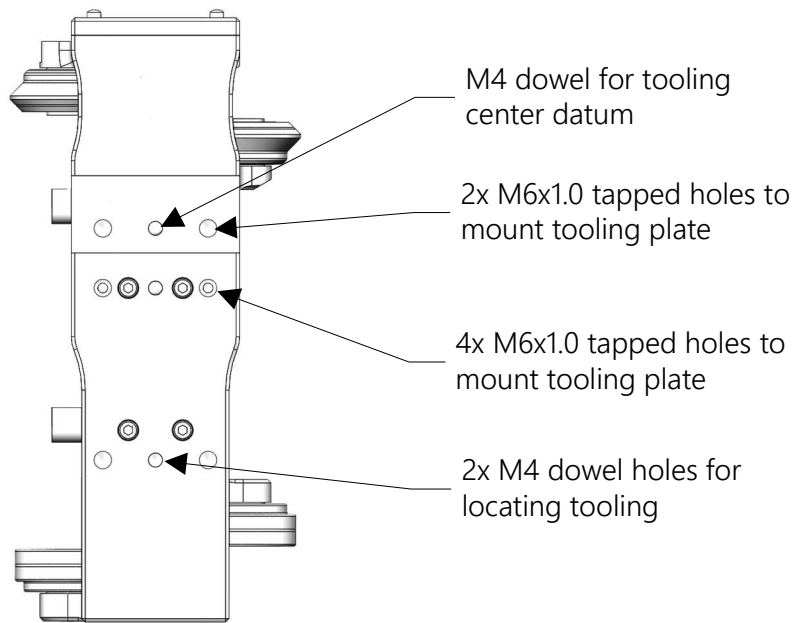
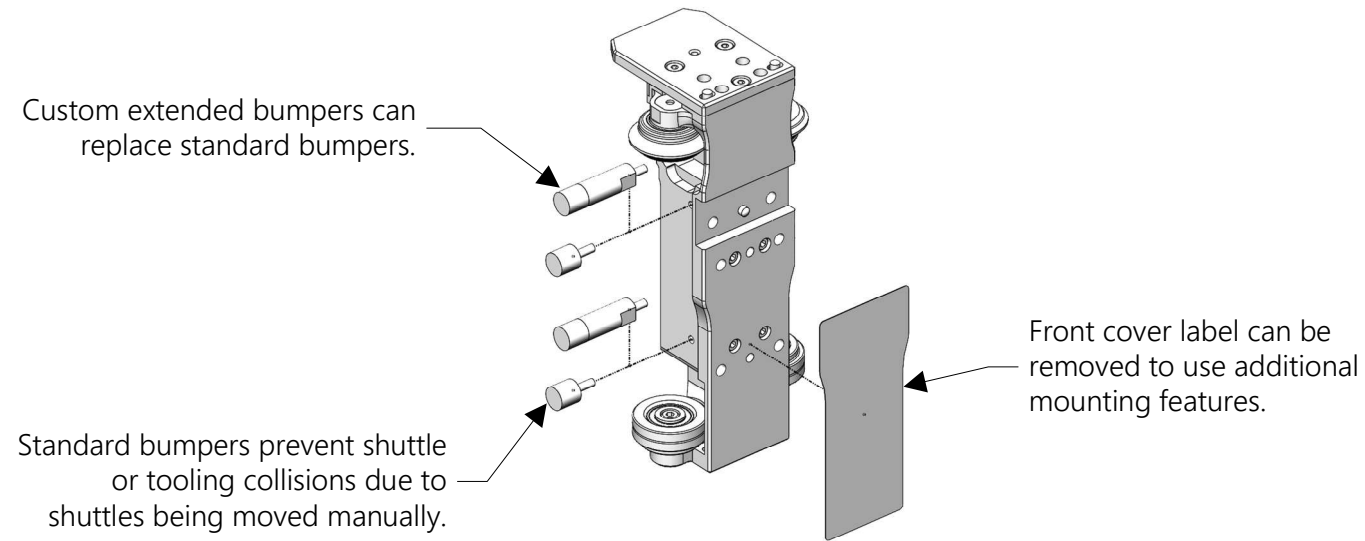


Pre-production System Limitations\*:  
 Max System Length: 7m  
 Max Number of Shuttles: 50  
 Max Payload: 3kg  
 Orientation: Horizontal only



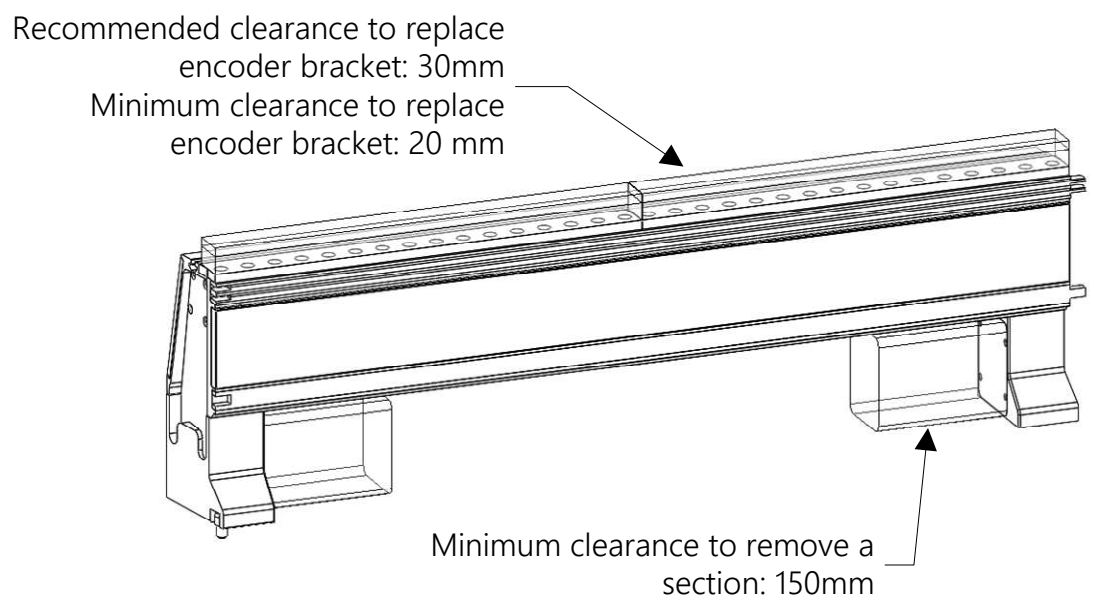
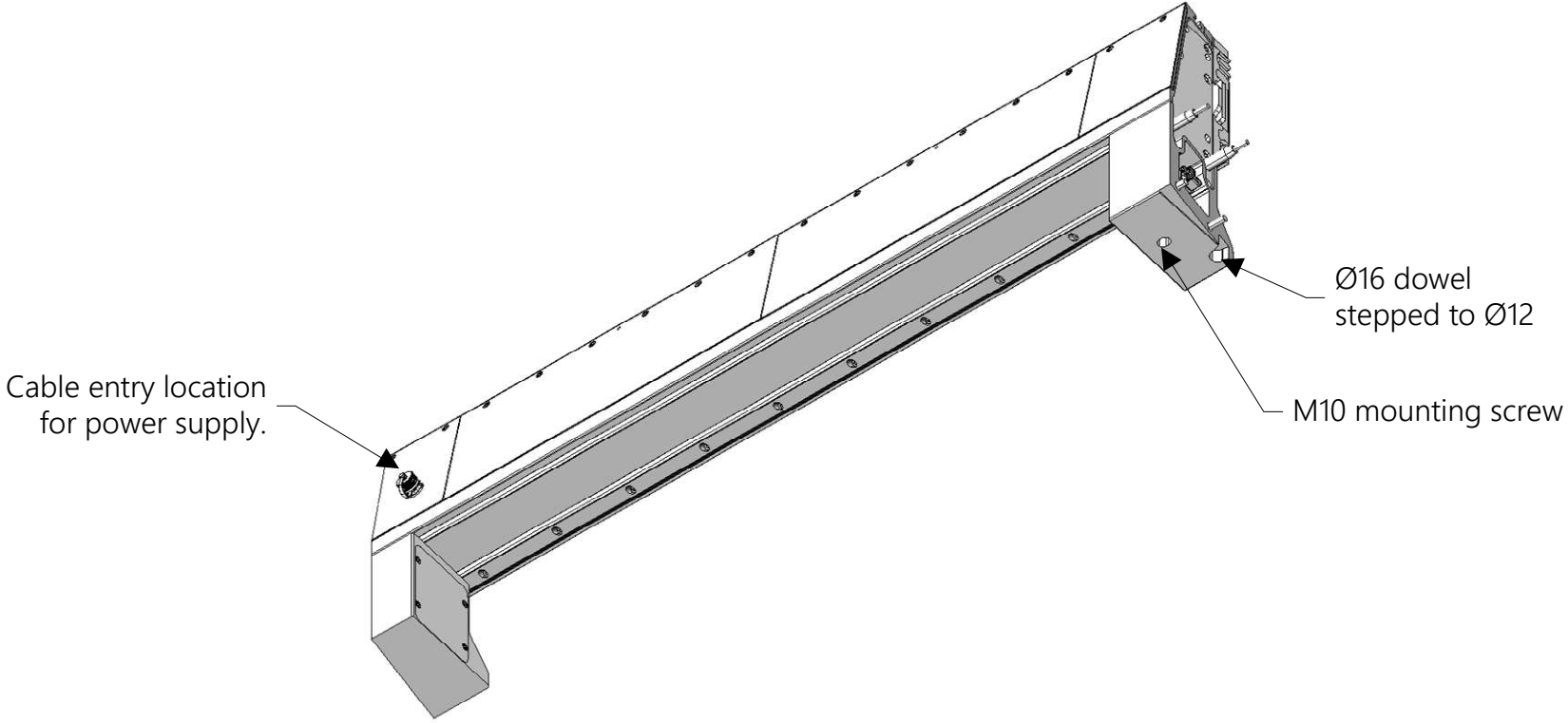
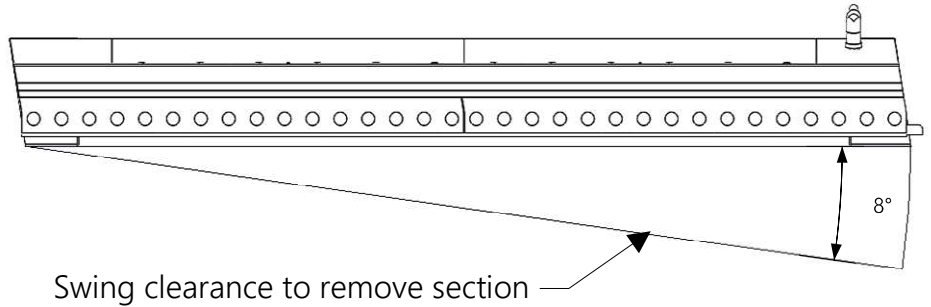
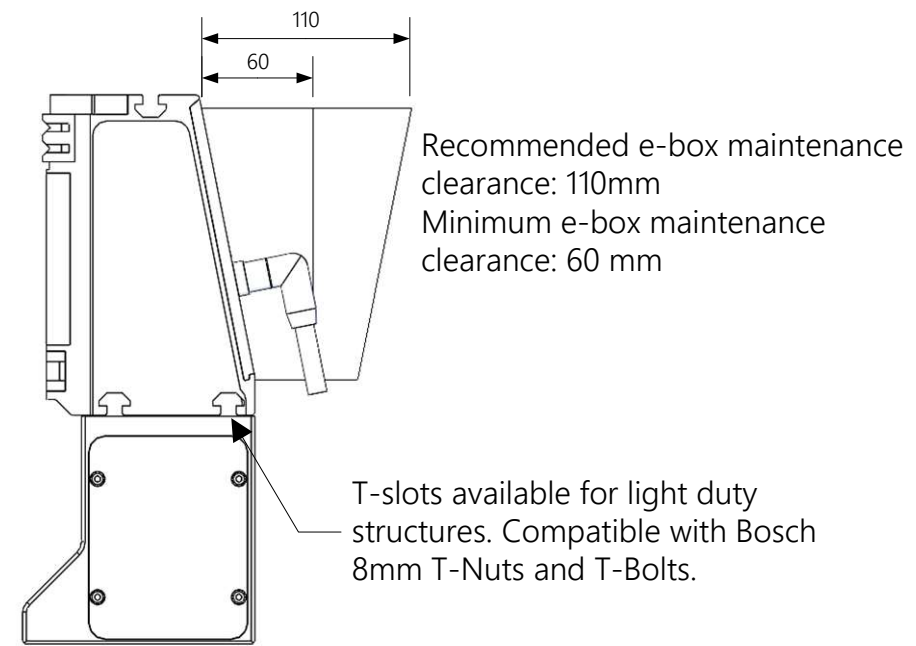
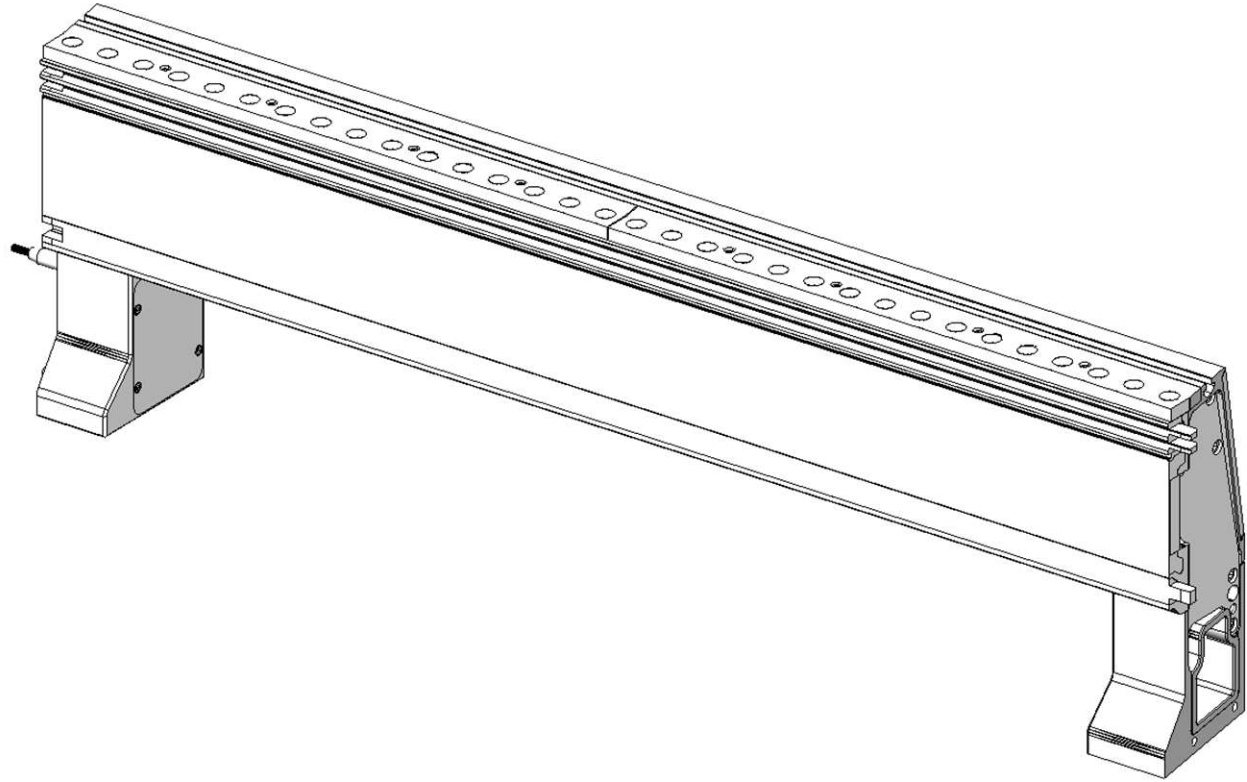
Note: All dimensions are reference. Consult Design Package for dimensions and tolerances. All dimensions in millimeters unless otherwise noted.  
 \* System limitations subject to change. Contact [SuperTrak\\_support@supertrakconveyance.com](mailto:SuperTrak_support@supertrakconveyance.com) for more information.

## 2. Shuttle

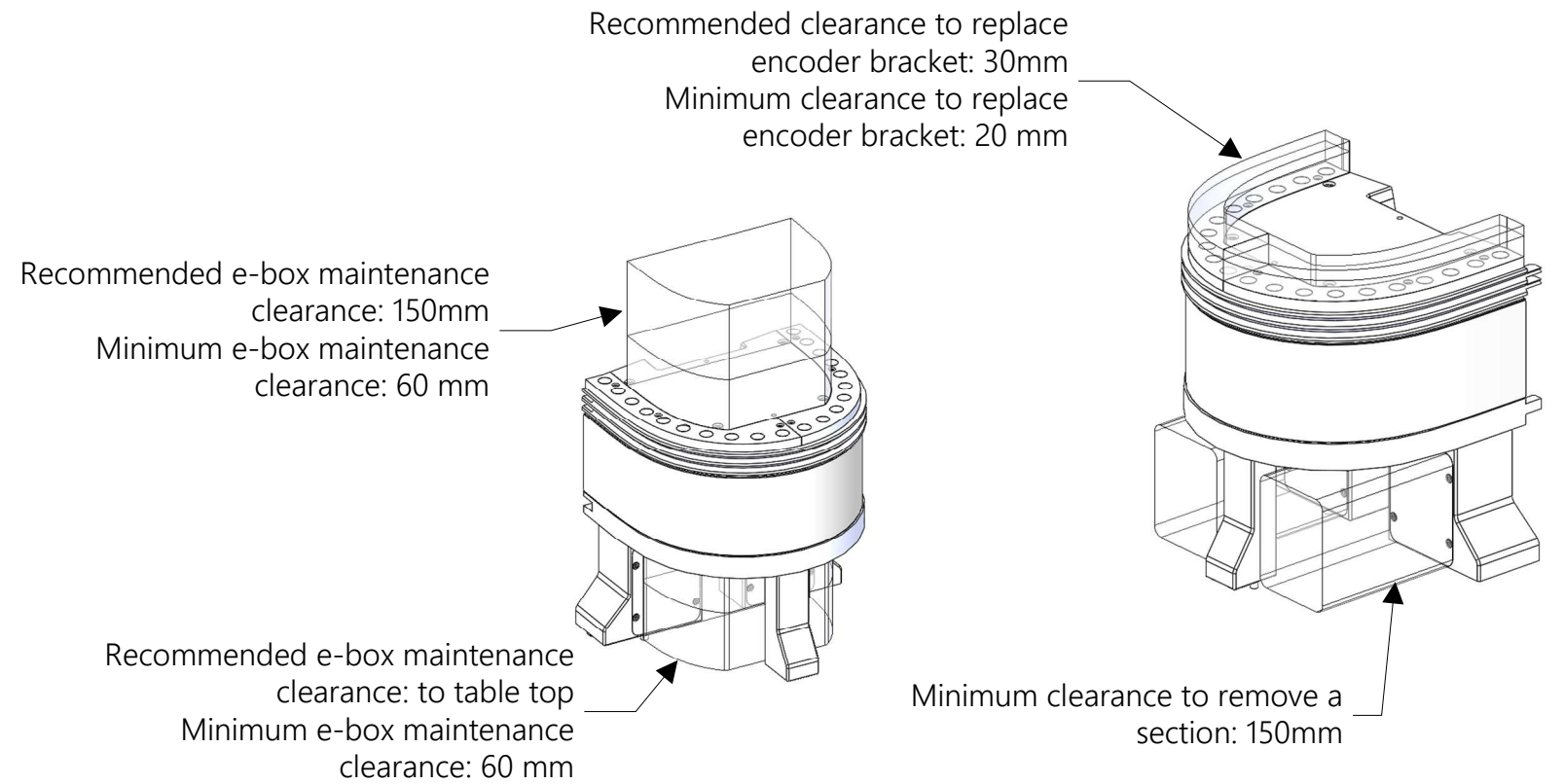
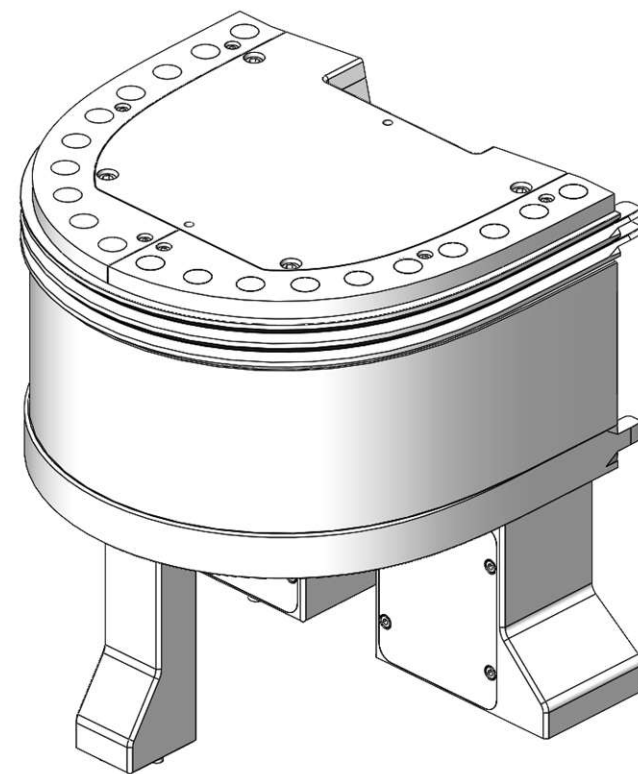
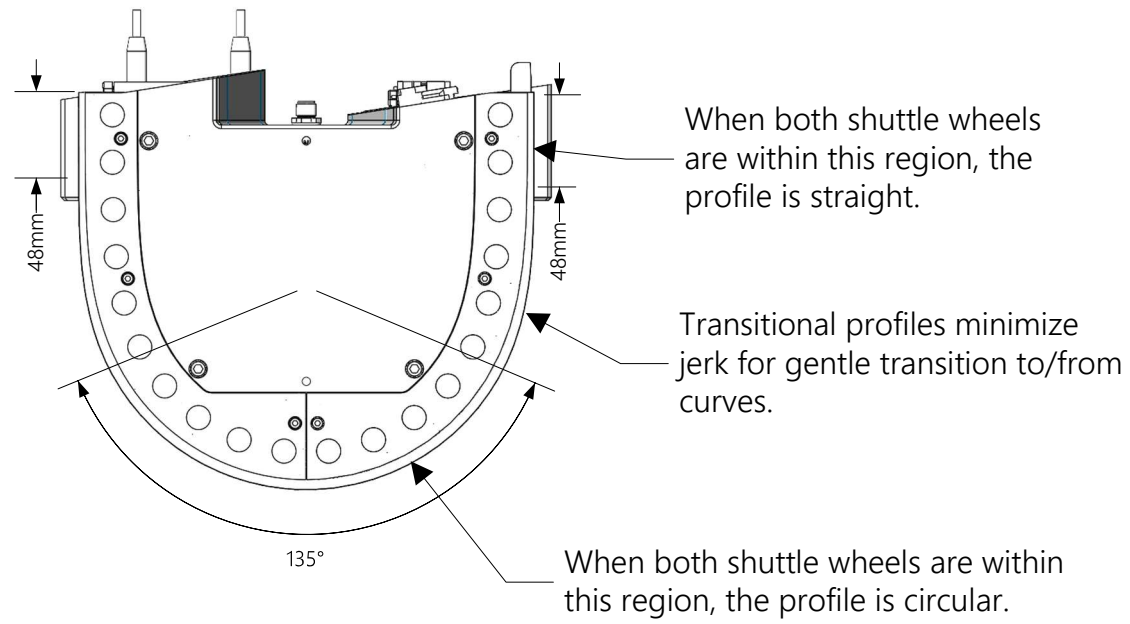


Magnetic Field Strength:  
Although the shuttles contain powerful magnets, the field is well contained. For most applications, no special provisions are required. When a shuttle is removed from the track, a keeper plate is used to contain the magnetic field.

### 3. Straight Section

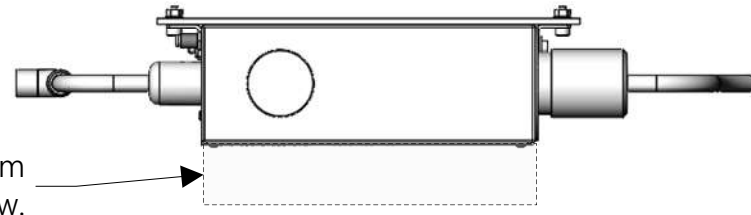


## 4. 180° Section



## 5. Power Supply

Top View



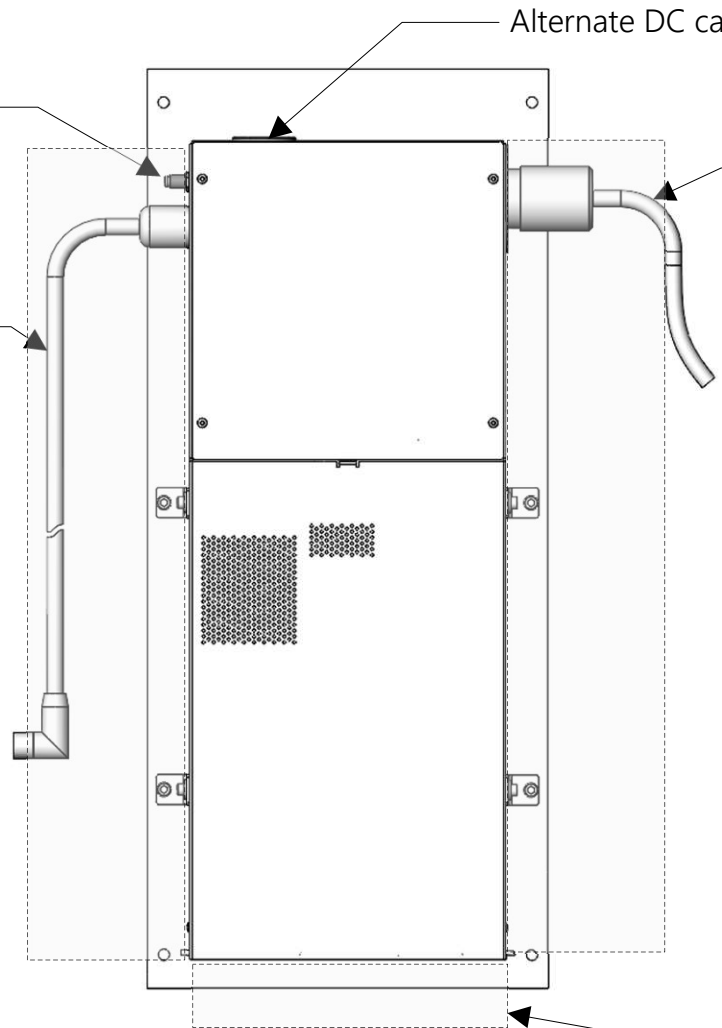
Leave minimum 50mm clearance for cooling air flow.

Alternate DC cable orientation

AC power input from control panel; allow 100mm clearance for cable.

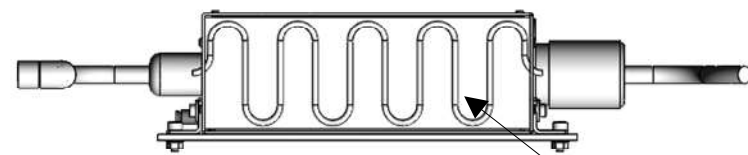
Output for "Power Supply Alarm" 24V signal to PLC (3 pin M8)

DC power output to motor section; allow 100mm clearance for cable. All cables on a system must be the same length.

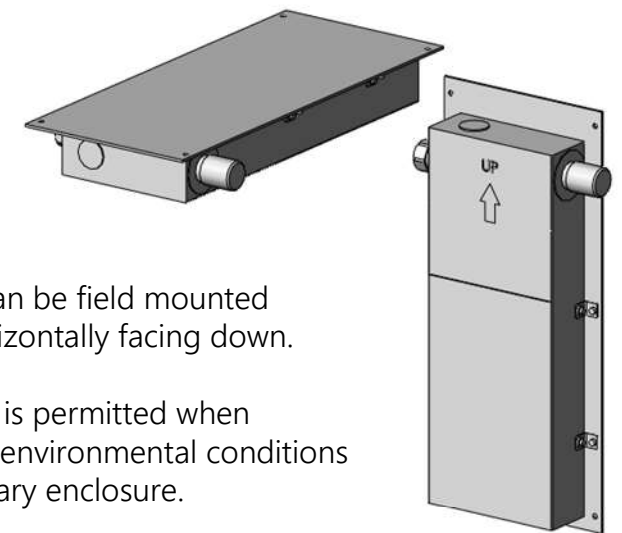


Leave minimum 50mm clearance for cooling air flow and filter replacement.

Bottom View



Filter to be replaced when dirty



Power supply can be field mounted vertically or horizontally facing down.

Any orientation is permitted when protected from environmental conditions inside a secondary enclosure.

## 6. Power and Performance

